

9. Access control management

Touch the screen and a menu bar will pop up on the right side of the screen, click > 【Access】

1、Access

Item	Meaning
OD delay	Set the time between lock relay effective and the state of resume normal.
Users	Set the number of user required to open the door. For example: set it to 2, only when 2 different users verify at the same time, the door can be opened
Wg output	Define the content of wiegand output, user ID and card number can be selected
Wg format	You can define wiegand port output format. The default format is 34bits, and it can be changed to 26bits

2、Timezone settings

2.1 Day timezone

According to the rules and regulations of user's entry and exit, set the daily access time to the corresponding time period. You can totally set 8 groups of day time zones, or week time zones. For example, you can set the time between 6:00am and 8:00am to open the door, and the time between 17:00pm and 19:00pm to open the door. Pls refer to below picture Day Timezone 1 setting. If you want to set the door to be open in all day, pls refer to below picture Day Timezone 2 setting.

Example: 【Day Timezone 1】 setting as below

Example: 【Day Timezone 2】 setting as below

1	06:00	08:00
2	17:00	19:00
3	00:00	00:00
4	00:00	00:00
5	00:00	00:00

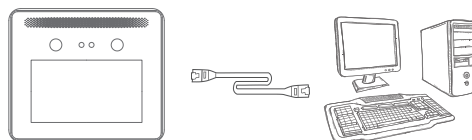
1	00:00	23:59
2	00:00	00:00
3	00:00	00:00
4	00:00	00:00
5	00:00	00:00

9

3、Ethernet

Ethernet	
DHCP	No
IP address	192.168.000.224
Subnet mask	255.255.255.000
Gate way	192.168.000.001
DNS Server IP	008.008.008.008
MAC Address	52:f3:30:f4:ad:33

Use Ethernet to connect the device to computer, An example is shown in the figure below:



IP Address: 192.168.1.224
Subnet Mask: 255.255.255.0
Gateway: 192.168.1.1

IP Address: 192.168.1.100
Subnet Mask: 255.255.255.0
Gateway: 192.168.1.1

3、WIFI(Optional)

click 【Search】 to select corresponding wifi hotspot, then input wifi password to connect it.

WIFI	
Search	
DHCP	否
IP address	192.168.000.224
Subnet mask	255.255.255.000
Gate way	192.168.000.001
DNSServerIP	008.008.008.008
MAC Address	38:01:46:17:e5:c7

13

2.2 Week timezone

According to the rules and regulations of user's entry and exit, Set the passage time of each week to the corresponding day time zone. For example, the above-mentioned daily time zone rule(only 6:00am to 8:00am can open the door, and only 17:00pm to 19:00pm can open the door) applies from Monday to Friday, and door can be opened all day on Saturday and Sunday. Pls refer to (Figure 1) for Week Timezone 1:

Week time zone	
MON	1
TUE	1
WED	1
THU	1
FRI	1
SAT	2
SUN	2

(Figure 1)

Normal open time zone	
MON	1
TUE	1
WED	1
THU	1
FRI	1
SAT	1
SUN	1

(Figure 2)

Remark: In our device, 【Week Timezone 0】 is default to open the door all day. All other time zones are customizable

2.3 Normal open timezone

According to requirements, Set the passage time of each week to the corresponding day time zone .Example: If the setting is as (Figure 2), Day time 1 applies to every day , then it means the door is kept open between 6:00 am and 8:00 am and 17:00pm to 19:00pm everyday

3、User access settings

Touch the screen and a menu bar will pop up on the right side of the screen, click > 【User Mgt】 > 【User View】 > select users > 【Advanced setup】 to edit T.zone

Sophie(1)	
Edit	Advanced setup
ID	1
Name	Sophie
Card	202
PWD	*****
Privilege	User

Sophie(1)	
Edit	Advanced setup
Dept	
Shift	No
T.Zone	No
Birth day	03/24
Start:	2000-01-01
End:	2099-01-01

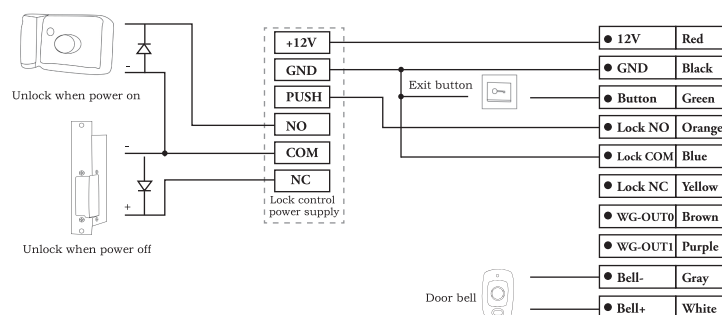
10

12.Schematic Diagram of Access Control Wiring

1) Schematic diagram of device wiring port

White	Bell+	Door Bell+
Gray	Bell-	Door Bell-
Purple	WG OUT1	Wiegand OUT1
Brown	WG OUT0	Wiegand OUT0
Yellow	Lock NC	Normal closed end of the control lock signal
Blue	Lock COM	The common end of the control lock signal
Orange	Lock NO	Normal opened end of the control lock signal
Green	Button	Open signal
Black	GND	GND
Red	12V	12V

2) Device connection diagram



14

10.Data management

Touch the screen and a menu bar will pop up on the right side of the screen, click > 【Data Mgt】 , Data management consists of 6 modules: Download Glog, Download All Glog, Clear All Enroll, Delete All Glog, Init Menu, Clean Manager.

Data Mgt	
< BACK	
Down GLog	
Down all GLog	
Clean all enroll	
Delete all GLog	
Init Menu	
Clean manager	

【Down Glog】 : New attendance logs saved in device can be downloaded to U-disk, and form a TXT file, eg:'GLG_001.TXT'

【Down All Glog】 : All attendance logs saved in device can be downloaded to U-disk, and form a TXT file, eg:'AGL_001.TXT'

【Clear All Enroll】 : Delete all registration info of all users(include face、 card and pwd)

【Delete All Glog】 : Delete all logs of all users

【Initialize Menu】 : Reset device parameter settings, it won't affect user data and records

【Clean Manager】 : Clear all manager privileges on the device

11

11.Communication

Touch the screen and a menu bar will pop up on the right side of the screen, click > 【Comm set】

1、Comm set

Item	Meaning
Device ID	Set corresponding device No., the default device No. is 1, Please note that the number is related to the communication
Port No.	The default port No. is 5005, For communication connection under LAN

2、Server

Server	
< BACK	
Server Rep	No
Use domainNm	No
DomainNm	
Server IP	047.106.068.143
Ser Port No	7791
Heartbeat	3

When using WAN connection, please do corresponding server settings

Item	Meaning
Server Req	Select 'Yes' or 'No', select 'yes' to enable server communication
Use domainNm	Select 'Yes' or 'No'
DomainNm	If you select 'Yes' for 'Use domain Nm', enter the server domain name here
Server IP	If you select 'No' for 'Use domain Nm', enter the server ip address here
SerPortNo	Enter server port number
Heartbeat	Default value is 3 s

12

13.T9 Input Method

Touch 'Alt' to switch capital/small letter or number, after finished,touch 'OK' to save it

How to input punctuation:when the input method is in capital/small letter state,continuous click '┐' to select what you want to input. The first one is space, the second is dot and so on .

Name	
< BACK	
a	
abc	def
ghi	jkl
mno	pqr
stu	vwx
yz	Alt
Delete	OK
Esc	

15

16