

ABNORMITY AND COUNTERMEASURE IN USE

Index	Abnormities	Cause	Countermeasure
1	Paper feed or positive rotation is normal, but there is still some scrapped paper hanging at the exit after finishing.	The slots of the blades clamp the scrapped paper.	Set the slide switch to "REV"(if need, please clean the scrapped paper at the exit)
2	Some paper in the entry, but shredder does not work.	After feeding paper, any corner of the paper is inserted, but the rest doesn't touch automatic inductive device.	Adapt to the position of the feeding paper and make it touch the automatic inductive device.
3	The paper is jammed, and the machine stops working.	1. The number of the inserted paper is larger than the limitation	1. Set the slide switch to "REV" and withdraw the shredding paper.
4	Don't work after inserting paper, or stop running when paper is being inserted.	The paper is too thin, too soft, humid, or too crinkly to activate automatic inductive device.	1. Fold the paper and then insert it. 2. Set the slide switch to "REV".

Disposal instructions

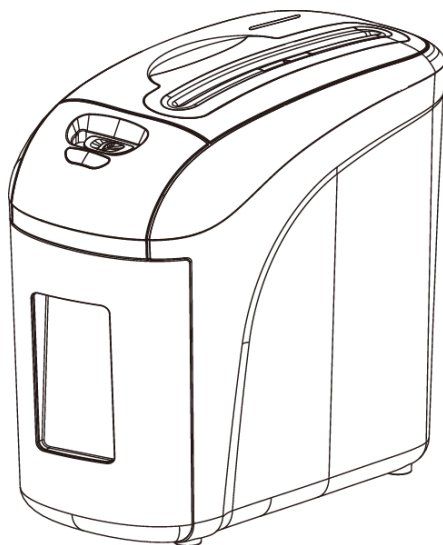
This recycling logo informs the final user that it's forbidden to dispose your product in general garbage bin. If you don't want this product anymore you should return it to the distributor or check with your local authority for recycling advice.



TECOR

PAPER SHREDDER

TR-406X

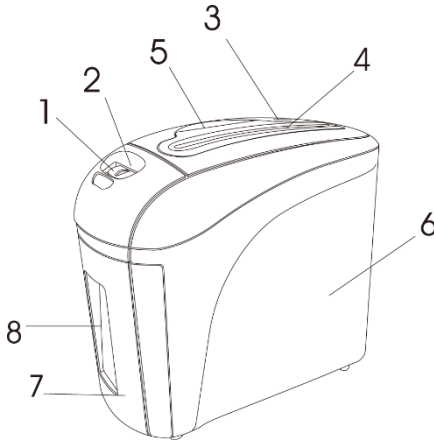


USER MANUAL

SPECIFICATIONS

Model no:TR-406X Cutting Style: crosscut Entry Width: 220mm Shred Capacity:10sheets (A4 80g/m² paper) 1pc CD 1pc credit card Waste bin for CD, credit card: 1.0liter	Input: 230VAC, 50Hz, 1.7A, 380W Machine size: 360L×195W×337H(mm) Net weight: 5.4kg Operating cycle: 3 min on/60 min off
--	--

NAMES OF COMPONETS



1. 3-Position slide switch for AUTO, OFF and REVERSE
2. Power indicator
3. CD insert
4. Paper / Credit card insert
5. Handle
6. Pull out bin
7. Main basket support
8. Transparent window

OPERATING ELEMENTS

The sliding switch (AUTO/OFF/REV) the machine has the following functions.

AUTO position: the machine is ready for operation, shredding starts as soon as paper, CD or card is inserted in the entry.

OFF position: the machine is turned off.

REV position: it can release paper.

SAFETY SYMBOLS



Warning: Please read this safety instruction carefully before operating the machine, incorrect operation will cause hazards to users.

The mark "O" Printed on the machine means, the machine is off

when the button is in this location



Product is not intended for children (product is not a toy)



Avoid hair touching the document feed opening.



Avoid touching the document feed opening with hands.



Do not insert paper clips or staples into the in feed slot.



Avoid clothing and long necklaces or bracelets touching the document feed opening



Keep aerosol products away (for products incorporating a universal (brush) motor).



This equipment is not intended for use by children.

Avoid touching the media feed opening with the hands, clothing or hair.

Unplug this equipment when not in use for an extended period of time, Hazardous moving part is in this equipment, keep body parts away from moving parts.

Sharp edges, do not touch



INSTAL GUIDE

1. Put the assembled machine on flat table.
2. Insert power plug into the corresponding electric socket and make sure that working voltage comply with supplying voltage.

OPERATION GUIDE AND REMARKS

1. Set the slide switch to "AUTO" position, at the same time, the machine is on standby; put the paper, CD or Card vertically into the entry, it will start up automatically and shred; it returns to standby automatically after finishing.
2. When jam caused by inserting too much paper or want to withdraw the paper immediately at the normal shredding, please set the slide switch to "REV", at the same time, the machine does the reverse rotation and return the paper that has not been shredded; then put the switch to "OFF".
3. To ensure your machine has a long use life and exerts good shredding function, please refer notice the maximum number of paper sheets, and

- shred one piece of CD or credit card at one time.
4. Please do not put clips, adhesive paper, adhesive tapes or cloth into the paper entry in order to avoid damaging the blades or lowering the shredding performance.
 5. If you want to clean the wastebasket or the machine, or the machine is not used for a long time, please cut off the electric power and unplug.
 6. This shredder has a run time of 3 minutes; it should be cooled down to room ambient temperature before resuming the operation.

SAFETY OPERATION GUIDE

1. Before use, please read introduction manual carefully.
2. The socket-outlet should be installed near the equipment and be easily accessible.
3. Keep ties, jewelry, hair, etc. away from the machine to ensure personal safety.
4. Do not place the machine near the heat sources or in humid environment for a long time.
5. Please use the machine near the electric socket to unplug easily.
6. When cleaning the machine or repairing damaged plug, please unplug it from the electric socket at first.
7. Machine must be far away from children and pets.
8. If the machine is unused for a long time, please cut off the electric power and unplug.

Working Condition

Temperature:25°C