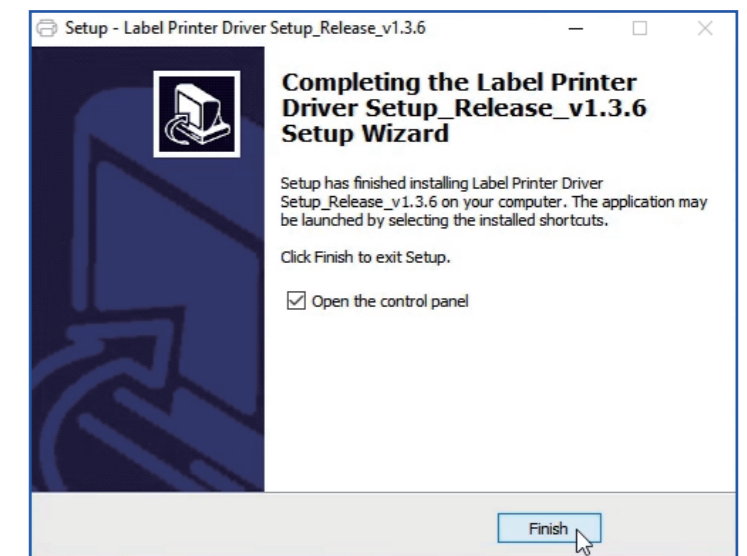
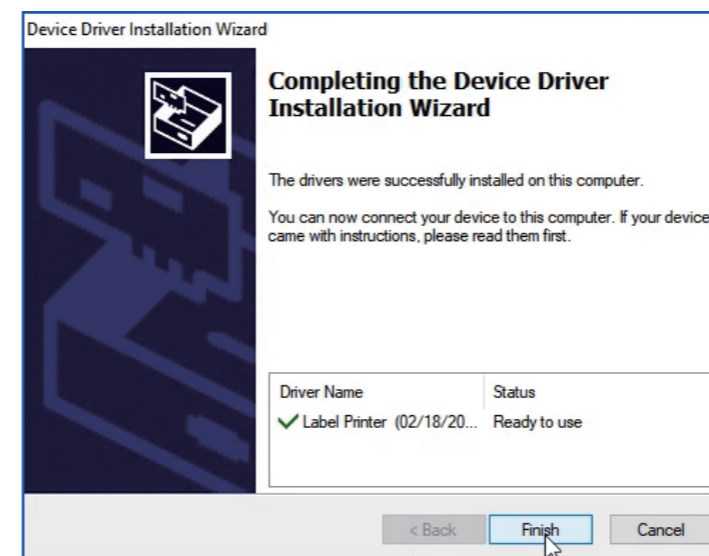
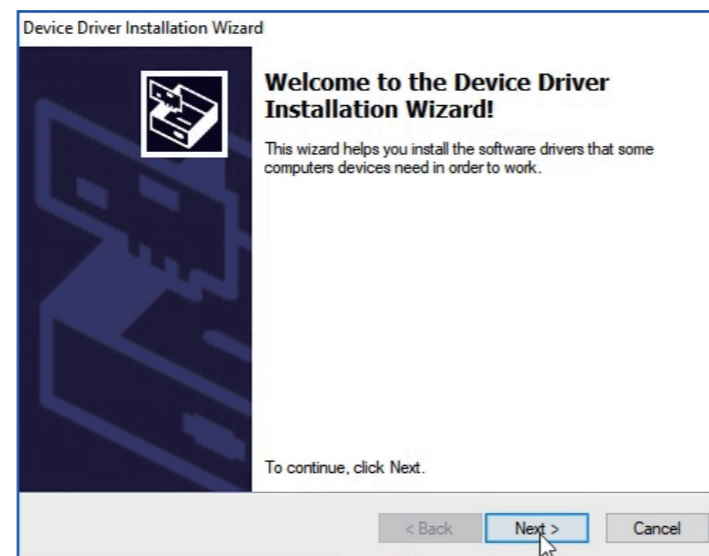
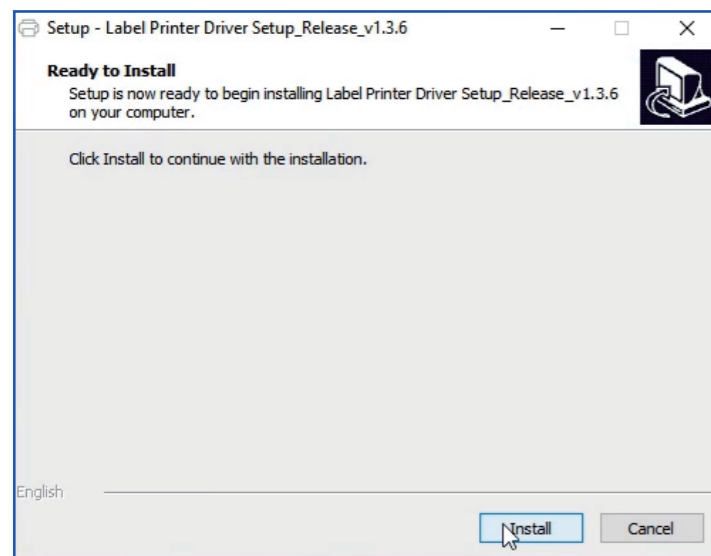
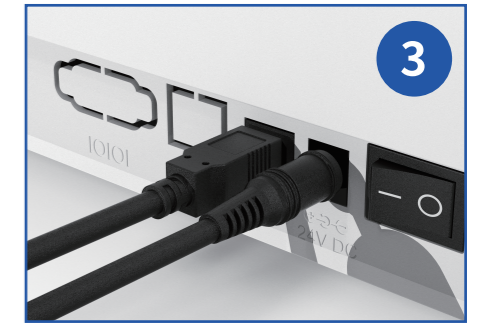


Barcode Printer Quick Installation Guide

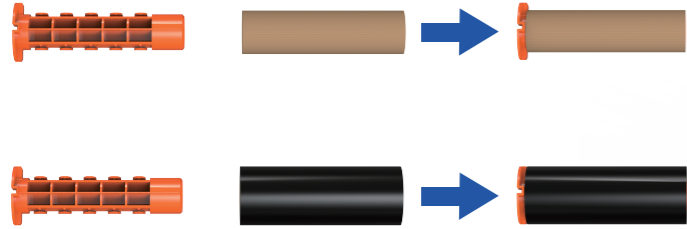


Accessories: Instruction Manual x1, USB Cable x1, Power Cord x1, Adapter x1, Paper Reel x1, Paper Stopper x2, Ink Ribbon Shaft x2, Paper Tube x1, Ink Ribbon x1, Testing Label Roll x1.

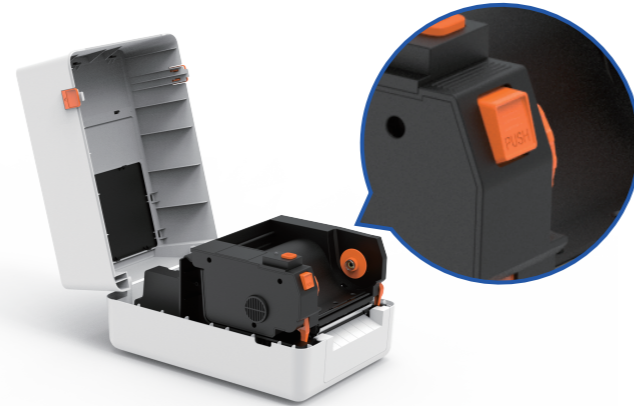


Install the Ink Ribbon

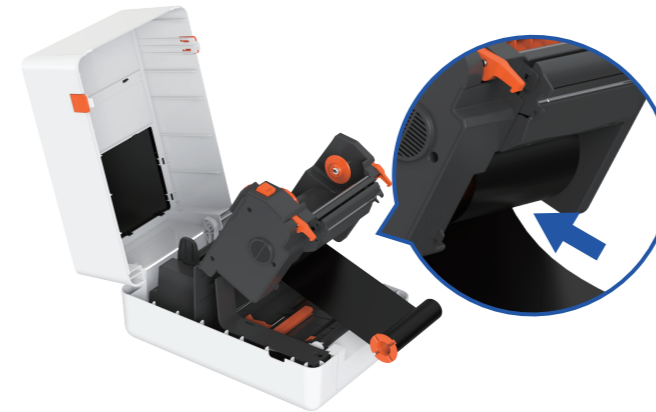
1 Put the Ink Ribbon Shafts into the Ink Ribbon Roll and Paper Tube.



2 Press the "Push" button and the ribbon cassette bracket will pop up automatically.



3 Install the Shaft with the Ink Ribbon Roll on the Supply Terminal (bottom) and pull the Ink Ribbon out. Wrap the Ink Ribbon around the Paper Tube.

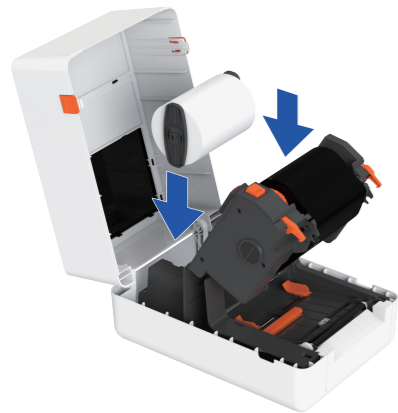


4 Install the shaft with the Paper Tube on the Receiving Terminal (top) and tighten the Ink Ribbon.

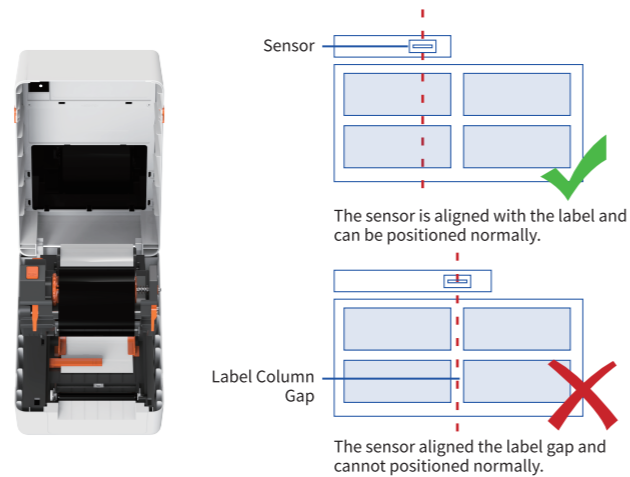


Install the paper roll

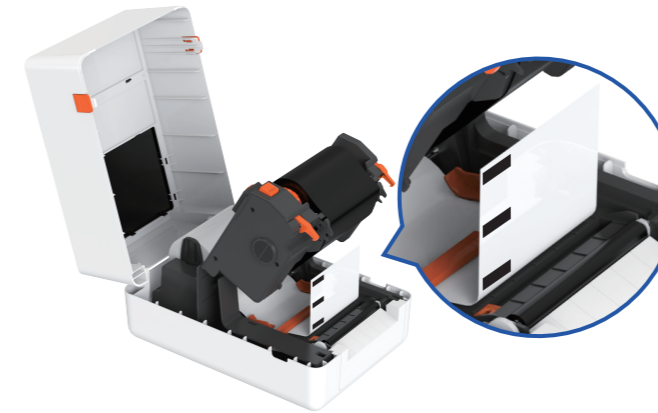
1 Install the paper roll: Make sure the print side is facing up.



2 Install and adjust the Label Paper so it feeds correctly.



3 Black mark: Remember to match the sensor to the black marks on the label.



4 Pull the label out (3-5cm) and close the printer cover.



⚠ Cautions: Please auto-calibrate the paper before using

Indicator	Printer Status
Blue (Lit)	Standby and Ready
Blue (Flashing)	Printing Paused
Red (Lit)	Print head up
Red (Flashing)	Label jam, paper shortage, label detection error or memory error
Purple (Flashing)	Print head overheating
Purple (Lit)	Printing

Action	Instruction
Run the automatic label identification	Insert the label and ensure it is straight and in good condition. When the printer is on standby, press and hold the "Feed" button for 3 seconds and release the button.
Skip a label	When the printer is on standby and ready (not in the middle of printing), press the "Feed" button once.
Print test page	Insert the label and ensure it is straight and in good condition. When the printer is on standby, press the "Feed" button twice.
Pause printing	When the printer is printing, press the "Feed" button once.
Resume printing	When the printing is paused, press the "Feed" button again to resume printing.
Restore factory setting	Insert the label and ensure it is straight and in good condition. Turn off the printer. Press and hold the "Feed" button, and turn on the printer at the same time. After the red indicator light flashes 5 times, release the "Feed" button.
Sensor calibration (for labels with black marks)	Insert the labels with black marks and ensure it is straight and in good condition. Turn off the printer. Press and hold the "Feed" button and turn on the printer at the same time. After the blue indicator light flashes 5 times, release the "Feed" button.
Sensor calibration (for labels with gaps)	Insert the labels with gaps and ensure it is straight and in good condition. Turn off the printer. Press and hold the "Feed" button, and turn on the printer at the same time. After the purple indicator light flashes 5 times, release the "Feed" button.